



HAWK-QLBVXIR7(W)

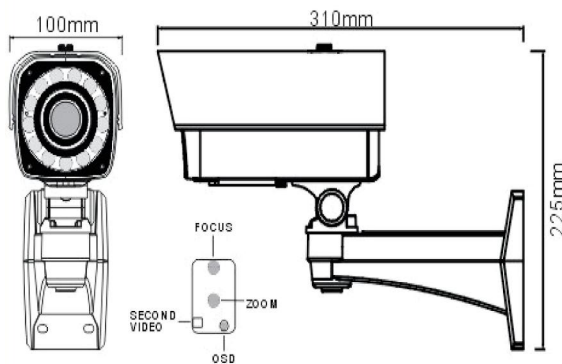
Quantum Light, Color Bullet Camera, High Resolution, 6mm-50mm Vari-Focal Mechanical IR CUT Filter, DC Iris. It Features True Day & Night, Smart Infra-Red and On Screen Display. Weather and Tamperproof.

Key Features;

**LWDR(15 Frame) / DWDR (Digital WDR)
700 Lines of Resolution in Color
780 Lines of Resolution in B/W
6~50mm DC Auto Iris & Mechanical IR Cut Filter Lens
Sense-up : Auto (Selectable limit 2X~512X) / Off
Sees down to 0 Lux, 16 Infra-Red's, 8 High Power
Smart Infra-Red
Includes HLC– High Light Compensation
LSC— Lens Shading Compensation
Defective Pixel Correction
Motion Detection, Privacy Mask
12V DC/24V AC**

HAWK-QLBVXIR7(W)

Image Sensor	1/3" Sony High Resolution Super HAD CCD II
Resolution	700 TV Lines, Super High Resolution
Picture Elements	976(H) X 494(V)
Synchronizing System	Internal
Video Output	1.0 Vp-p Composite 75 ohms
Minimum Illumination	.01—.0 Lux (Sensitivity up)
Infrared Max. Distance	150'
Power Supply	12V DC/24V AC
Iris Lens	6-50mm DC Auto-Iris
S/N Ratio	≥52db
OSD Controllable Functions;	
Shutter	1/60,1/120,1/250,1/500,1/2000,1/5,000,1/10,000 1/100,000
White Balance	ATW/AWB/Manual
Back Light	OFF/BLC/WDR
Gain Control	Off/Low/Medium/High
Mirror	On/Off
Motion	On/Off
WDR	On/Off
D-Zoom	up to 10X
Gamma	0.45
Current Consumption	800mA
Dimensions	4"(W) x 12.25"(L), including the bracket
Operation Temperature	-4° ~ 140°F
Weight	2.8 lbs



Available in Black or White.