



HAWK-450OSCD

Color Day/Night Dome Camera with On Screen Display. Tamper & Weatherproof. Dual Voltage - 12V DC/24V AC. Manufactured of Cast Aluminum. 360 degree bracket for any angle viewing. Varifocal 2.8 - 12mm DC Autoiris Lens. Sony Superhad 540 line chip.

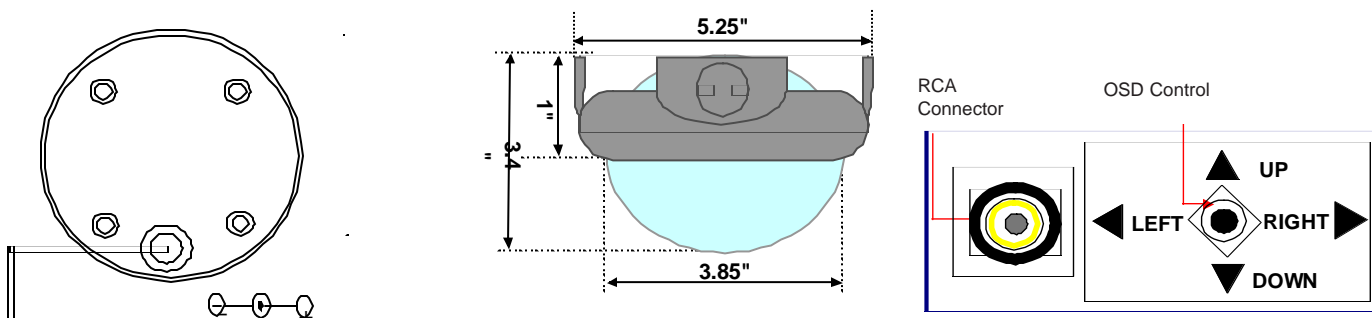
Features

1/3" SONY SUPER HAD 540TVL High Resolution Image Sensor Built-in
Outstanding high Sensitivity picture quality under extremely low Illumination
Digital 10 Bit Image-Enhanced Technology for High picture quality
On Screen Display, controllable on main panel for adjusting picture quality & Features
Accidental Surge and Electronic Shock Protected
12V DC/24V AC Dual Power input, non-polarity sensitive
Vandalproof, Weatherproof, Tamperproof with 360° Inner Bracket built-in
Aluminum Housing & Polycarbonate Clear Dome
Weatherproof(IP=66) for Indoor/Outdoor Applications
Remote Control Included

HAWK-450VOSCD

Specifications

Image Sensor Format	1/3" SONY SUPER HAD, High Resolution
Effective Pixels	NTSC : 768 x 494
H.Resolution	540 TV Lines (Digital 10Bit - DIET™)
Synchronizing system	Internal/Line Lock (Selectable by OSD)
Scanning system	NTSC 525 Lines - 2:1 Interlaced
Video output	1.0Vp-p Composite. 75 Ohms
S/N ratio	Greater then 50dB (AGC Off, DNR - On)
Min. Illumination (IR LED Off)	0.3Lux/F1.2, 0.002Lux at F1.6 (SENS-UPx128)
BLC (Back Light Compensation)	True Day & Night Function(Selectable by OSD)
Shutter Speed	Automatic (Selectable On/Off by OSD)
Gamma correction	NTSC : 1/60 - 1/100,000 sec
White Balance	r = 0.45 or more
Gain Control	1800°K - 10,500°K Auto (Selectable by OSD)
Smear Effect	4dB~35dB Auto (Max/Off)
MTTF	0.005%
Power source	80,000 hours or more
Operating current	DC12V (Tolerance : 8V ~ 28V)
Lens	AC 24V (Tolerance : 18V ~ 40V -)
Operating Temperature	DC12V - 220mA Max, w/regulated power input
Humidity	2.8~12mm Auto DC Iris(F1.5)
Output Terminal	-4°F~ 144°F
Weight(Approximate Ounces)	Within 85% RH (IP Rating : IP=66)
	4 Feet cable with BNC-Fe for Video
	Terminal Block for Power(Dual)
	33 oz.



OSD DISPLAYS

SETUP		SPECIAL	
▶ LENS	DC	▶ CAMERA ID	OFF
SHUTTER	---	COLOR	ON
WHITE BAL.	ATW	SYNC	INT
BACKLIGHT	OFF	MOTION DET	OFF
AGC	MIDDLE	PRIVACY	OFF
DNR	LOW	MIRROR	OFF
SENS-UP	OFF	SHARPNESS	ON
SPECIAL		RESET	
EXIT		RETURN	